

LT9604

SPECS

| | |
|--------------|--------------------------|
| Product # | LT9604 |
| Wattage | 3.5W |
| Voltage | 12/24V AC/DC & 120V AC |
| CCT | 3000/4000/5000K (3 in 1) |
| Lumen | 65lm |
| Beam Spread | 40° |
| CRI | ≥85Ra |
| Working Temp | -40° ~ 40° |

| | |
|-------------------|--|
| Inner Box | 5.11"(L)x3.3"(W)x2.0"(H) 13.0(L)*8.4(W)*5.1(H)cm |
| PCs/Inner Box | 1 PC |
| Master Carton | 116.7"(L)x10.0"(W)x10.4"(H) 42.5(L)*26.4(W)*26.5(H)cm |
| PCs/Master Carton | 48 PCS |
| Product Weights | 0.41 LBS / 0.19 KG |
| Net Weights | 20.42 LBS / 9.26 KG |
| Gross Weights | 24.25 LBS / 11.0 KG |

FEATURES

- Engineered for outdoor lighting applications
- 3 CCT in 1
- Shockproof internal structure
- IP65 weatherproof and water-resistant
- Top quality electronic components

MATERIALS

Aluminum

LENS

Frosted PC

FINISH

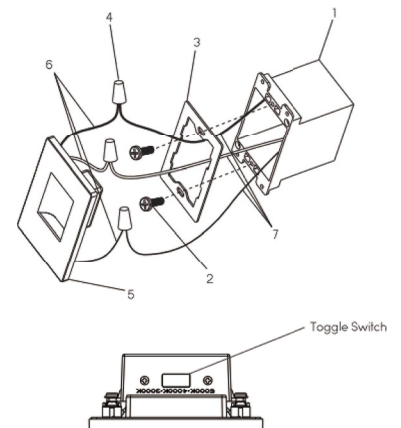
ORB

WARRANTY

3 years warranty

INSTALLATION

- Step 1. Pull the power supply wires (7) out from the outlet box (1) . Mount the mounting bracket (3) to the outlet box (1) using the mounting screws (2) .
- Step 2. Use the wire nuts (4) to connect the fixture wires (6) to the power supply wires (7) . (White- Neutral, Black- Live,). Carefully tuck the wires inside outlet box (1) .
- Step 3. Select the color temperature from 3000K, 4000K, and 5000K with the toggle switch.
- Step 4. Snap the face plate (5) onto the fixture.
- Step 5. Use sealant (not included) to fill the gap between the face plate (5) and the outlet box (1) to improve the water resistance.



Call NOW (888)-977-8737 WWW.SUPERTECHLEDS.COM

SAN ANTONIO

3714 Northwest Loop 410,
San Antonio, Texas, 78229.

(210)-290-8493

NORTH RICHLAND HILLS

6805 NE Loop 820, Suite#406,
North Richland Hills, Texas, 76180.

(817)-576-4113

RICHARDSON

318 South Central Expressway, STE 113,
Richardson, Texas, 75080, United States.

(469)-372-0795