

LT9602

SPECS

Product #	LT9602
Wattage	3.5W
Voltage	12/24V AC/DC & 120V AC
CCT	3000/4000/5000K (3 in 1)
Lumen	200lm
Beam Spread	120°
CRI	≥85Ra
Working Temp	-40° ~ 40°

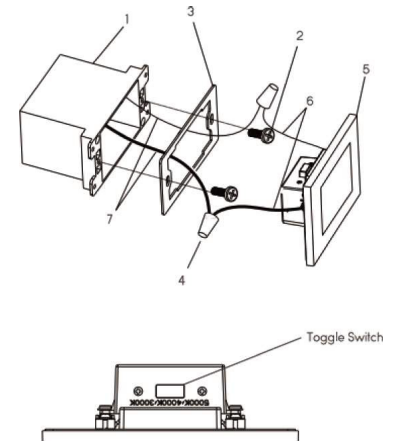
Inner Box	5.11"(L)x3.3"(W)x2.0"(H) 13.0(L)*8.4(W)*5.1(H)cm
PCs/Inner Box	1 PC
Master Carton	16.7"(L)x10.0"(W)x10.4"(H) 42.5(L)*26.4(W)*26.5(H)cm
PCs/Master Carton	48 PCS
Product Weights	0.43 LBS / 0.20 KG
Net Weights	20.42 LBS / 9.26 KG
Gross Weights	24.25 LBS / 11.0 KG

FEATURES

- Engineered for outdoor lighting applications
- 3 CCT in 1
- Shockproof internal structure
- IP65 weatherproof and water-resistant
- Top quality electronic components

INSTALLATION

- Step 1. Pull the power supply wires (7) out from the outlet box (1) . Mount the mounting bracket (3) to the outlet box (1) using the mounting screws (2) .
- Step 2. Use the wire nuts (4) to connect the fixture wires (6) to the power supply wires (7) . (White- Neutral, Black- Live,). Carefully tuck the wires inside outlet box (1) .
- Step 3. Select the color temperature from 3000K, 4000K, and 5000K with the toggle switch.
- Step 4. Snap the face plate (5) onto the fixture.
- Step 5. Use sealant (not included) to fill the gap between the face plate (5) and the outlet box (1) to improve the water resistance.



MATERIALS

Aluminum

WARRANTY

3 years warranty

LENS

Frosted PC

FINISH

ORB

Call NOW (888)-977-8737 WWW.SUPERTECHLEDS.COM

SAN ANTONIO

3714 Northwest Loop 410,
San Antonio, Texas, 78229.

(210)-290-8493

NORTH RICHLAND HILLS

6805 NE Loop 820, Suite#406,
North Richland Hills, Texas, 76180.

(817)-576-4113

RICHARDSON

318 South Central Expressway, STE 113,
Richardson, Texas, 75080, United States.

(469)-372-0795