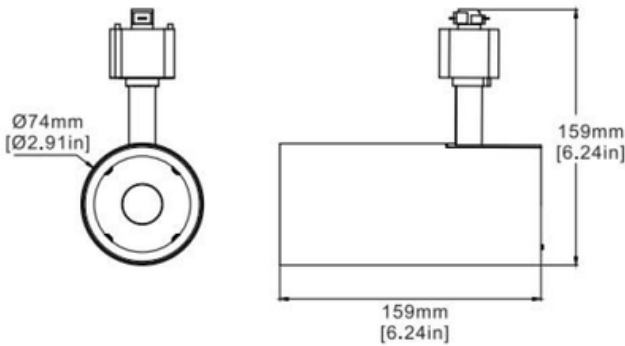


GD21F30B

LED Track Light



Adapter



General Data

Color: Black / White
 Installation method: Track Mounted
 Place of application: Indoor

Technical Data


Rated voltage [V]: 120-277 AC
 Rated frequency [Hz]: 60
 Power [W]: 25
 Light source: LED COB
 Dimming method: TRIAC Dimming at 120V
 Luminous flux [lm]: 1750
 Color temperature: 3000K-4000K-5000K
 Color rendering index: 90
 Service life [h]: 50000
 Number of on/off cycles: ≥ 30000
 Lighting angle [°]: 15/24/36
 Light Shape: Round
 Luminous efficiency of the lamp [lm/W]: 70
 Housing material: Aluminum
 IP class: 20
 Size [inch]: D2.91*L6.24
 Operating temp. [°C]: -25~50
 Storage temp. [°C]: -25~45

Additional Information


Warranty: 5 Years
 Certification: ETL
 Number of units in the outer box: 24
 Gross weight of a outer box [kg]: 17

Call NOW (888)-977-8737 WWW.SUPERTECHLEDS.COM

SAN ANTONIO

3714 Northwest Loop 410,
 San Antonio, Texas, 78229.
 **(210)-290-8493**

NORTH RICHLAND HILLS

6805 NE Loop 820, Suite#406,
 North Richland Hills, Texas, 76180.
 **(817)-576-4113**

RICHARDSON

318 South Central Expressway, STE 113,
 Richardson, Texas, 75080, United States.
 **(469)-372-0795**