

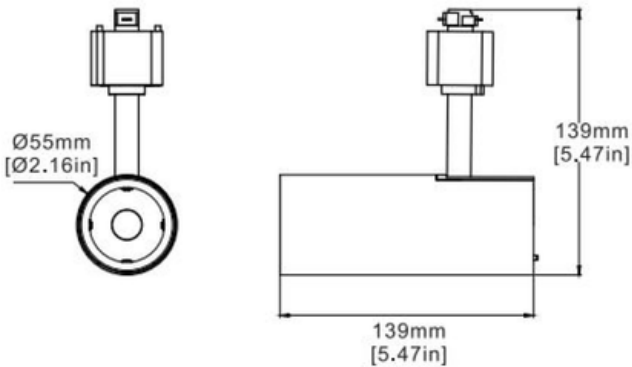
# Product Specification Sheet

## GD21F10B

### LED Track Light



3CCT tunable



#### Adapter



#### General Data

**Color:** Black / White

**Installation method:** Track Mounted

**Place of application:** Indoor

#### Technical Data

**Rated voltage [V]:** 120-277 AC

**Rated frequency [Hz]:** 60

**Power [W]:** 10

**Light source:** LED COB

**Dimming method:** TRIAC Dimming at 120V

**Luminous flux [lm]:** 700

**Color temperature:** 3000K-4000K-5000K

**Color rendering index:** 90

**Service life [h]:** 50000

**Number of on/off cycles:** ≥30000

**Lighting angle [°]:** 15/24/36

**Light Shape:** Round

**Luminous efficiency of the lamp [lm/W]:** 70

**Housing material:** Aluminum

**IP class:** 20

**Size [inch]:** D2.16\*L5.47

**Operating temp. [°C]:** -25~50

**Storage temp. [°C]:** -25~45

#### Additional Information

**Warranty:** 5 Years

**Certification:** ETL

**Number of units in the outer box:** 30

**Gross weight of a outer box [kg]:** 13

Call NOW (888)-977-8737 WWW.SUPERTECHLEDS.COM

#### SAN ANTONIO

3714 Northwest Loop 410,  
San Antonio, Texas, 78229.

(210)-290-8493

#### DALLAS/FORTWORTH

6805 NE Loop 820, Suite#406,  
North Richland Hills, Texas, 76180.

(817)-576-4113

#### RICHARDSON

318 South Central Expressway, STE 113,  
Richardson, Texas, 75080, United States.

(469)-372-0795